

The SpringLOCK wood frame security system uses Bridges, two of which are screwed to the frame and hook over two screws in the wall. Then two Locks are pushed sideways into the Bridges and lock the frame to the screws.

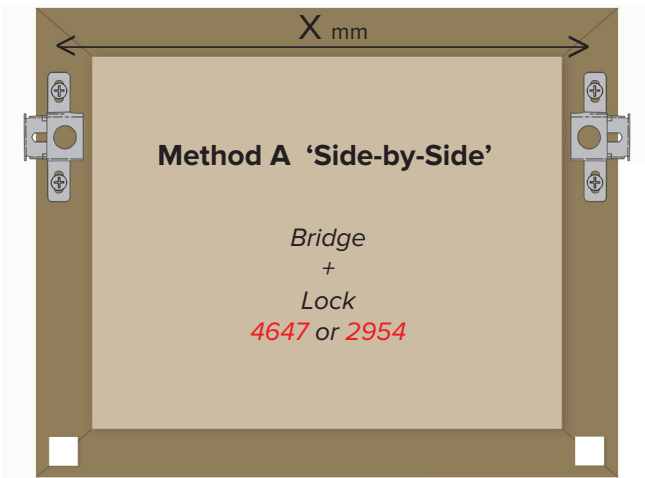
The Release Tool slides from the side behind the frame and it catches onto the Lock and slides it out.

SpringLOCKS are used in one of three ways:

- **Side-by-Side** method where one Bridge is fitted on each side. Measure distance 'X mm' between bridges to give spacing for the two screws in wall. Frames hook onto the two wall hooks and Locks are then pushed into the Bridges to secure the frame.
- **Top Slot Plates** are screwed in pairs to the top rails and which hook over two screws in the wall. At the bottom, a Bridge is fitted which hooks onto a third screw in the wall. The Release Tool with a marker, or the Marker Button, help locate the position for the third screw.

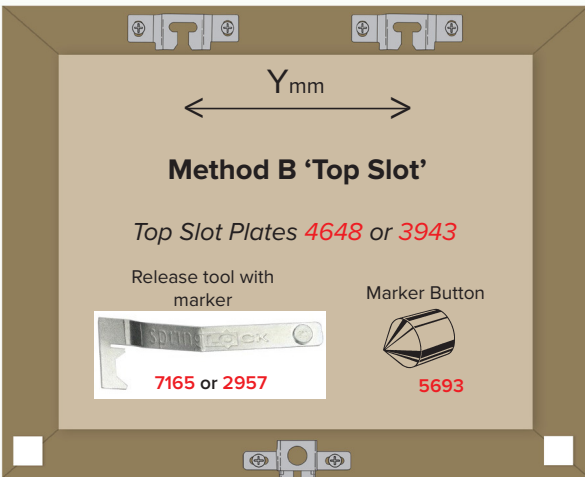
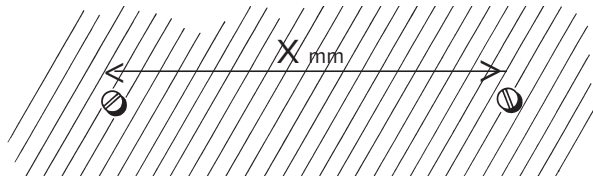
at the top

- **Z-Bars** method is based on a pair of aluminium extrusions. One is screwed to the wall pointing up and the oval holes help levelling. The other bar is screwed to the top rail of the frame pointing down. The frame hooks onto the bar on the wall. At the bottom a Bridge is fixed in the centre, and that fits over a screw in the wall. That is located using the method in Top Slot Plates.

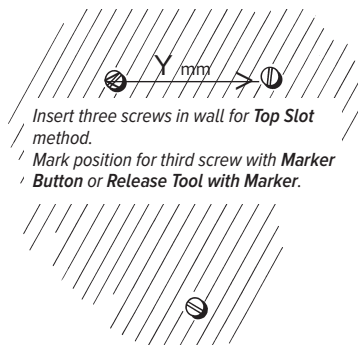


- 2954 SpringLOCK Side-by-side Hang kit 1
- 2954B SpringLOCK Side-by-side Hang kits pack 10
- 2954C SpringLOCK Side-by-side Hang kits pack 100

Insert two screws in wall for **Side-by-Side** method.



- 4648 SpringLOCK Top Slot Hanging brackets 50, wood screws 100
- 3943 SpringLOCK Top Slot hanging frame Hang kit 1
- 3943B SpringLOCK Top Slot hanging frame Hang kits pack 10
- 3943C SpringLOCK Top Slot hanging frame Hang kits pack 100



- 10311 Z Bars & SpringLOCK Hang kit for 2 frames

Z bar Kit contains:

- Z Bars 150mm for wood frame x 2 pairs
- Screws for Z Bar and SpringLOCK to frame
- Screws & plugs for Z Bar to wall x 3
- SpringLOCK Bridge & Lock x 2

- 10312 SpringLOCK & Z Bars frame kits pack 20

- 10367 SpringLOCK Trial Kits pack

- 9486 SpringLOCK & HangLOCK plates for secret fixing of a flat panel



Method A 'Side-by-Side'

Two wall screws

This requires two screws in the wall. Screw a Bridge to each side of the back of the frame. Measure the exact distance between the Bridges. Tip – mark the top of each round hole with a pencil and measure between those. With the aid of a spirit measure and Post-its, mark the holes position of the two screws in the wall. Best to use countersunk head screws, Nos. 6, 8 or 10 and leave them about 5mm/1/4" proud.

Hook the Bridges onto the screws and push the Bridges in. To level, remove the frame with the Release Tool and the slots in the Bridges allow adjustment.

Method B 'Top Slotted Plates'

Three wall screws

This requires three screws in the wall. It is useful if hanging a row of frames too close together to allow access for the Release Tool. Screw two slotted plates to the top rail of the frame. Inset from the sides to clear the mitre join. Mark the centre of each plate with a pencil and measure between those.

With the aid of a spirit measure and Post-its, mark the holes position of the two screws in the wall. Best to use countersunk head screws, Nos. 6, 8 or 10 and leave them about 5mm/1/4" proud.

Screw the SpringLOCK Bridge in the middle of the bottom rail of the frame. To mark the position of the third screw into the wall, put a Marker Button into the Bridge. Hang the frame on the two screws and press the bottom rail to make a mark on the wall. Drill and fix the third screw in the wall. Push in the Lock..

Method C 'Z Bar Hanger Cleat'

Minimum 2 wall screws per Z Bar Cleat

Z bars work in matched pairs. For smaller frames, one cleat is screwed to the top rail of the frame pointing down. The other cleat is screwed to the wall pointing up – the oval holes help levelling. Then screw a SpringLOCK Bridge in the centre of the bottom rail of the frame and insert a Marker Button, included. Hang the frame and press the bottom to mark the wall. The remaining parts are for a second frame

For larger frames, use both pair of cleats in the pack, screw two to the top rail of the frame, inset from the mitres. Screw one or both Spring LOCKs to the bottom rail and use the Marker Button, included, to mark the wall.

The pack can be used to hang either two smaller frames or one larger. Lion also offer the Z Bar Cleat Hanger strips in 150mm, 300mm, 450mm and 1000mm lengths. To view them all, go to [7498](#) and click on View Range.

SpringLOCK Accessories

- 4647** SpringLOCK Bridges 50, Locks 50, wood screws 100
- 9480** SpringLOCK Bridges 100, Locks 100

- 5693A** SpringLOCK Marker buttons pack 10



- 2957** SpringLOCK Release tool with hanging hole 1
- 2957B** SpringLOCK Release tools with hanging hole pack 10

- 7165** SpringLOCK Release tool with marker button 1
- 7165B** SpringLOCK Release tools with marker button pack 10



Info: For secure hanging aluminium frames, see T Screws, kit [10349](#)

Locating a screw position for a Bridge on the bottom of a frame



- Screw a Bridge in the centre of the bottom of the frame.
- Use a Release Tool handle **2957** with Marker **5693A** or with a Marker Button in the hole in the handle **7165**.
- Hang the frame onto the two screws or a Z bar on the wall. Press bottom of frame enough to leave a mark on the wall. Insert a countersink screw. Use a Lock to secure the frame.

LION Picture Framing Supplies Ltd

148 Garrison Street, Birmingham B9 4BN

Tel: 0121 773 1230 Fax: 0121 771 2540

Open 08.45 - 17.00 Monday to Friday

lionpic.co.uk

info@lionpic.co.uk

Product information updated June 2024



SpringLOCK