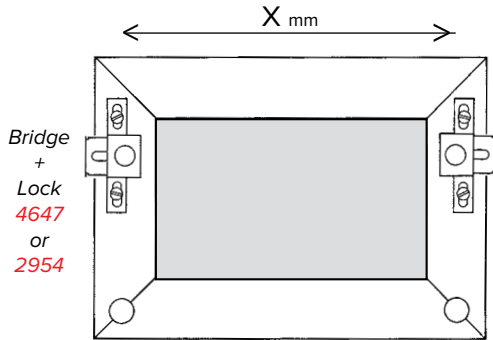


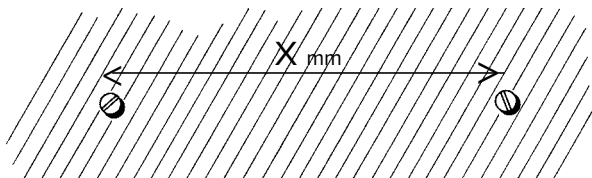
**SpringLOCK** consists of a **Bridge** and a **Lock**. It is typically installed on the back of a frame either in pairs (**Side-by-Side** method) or, at the bottom of a frame, with **Top Slot Plates** at the top (**Top Slot** method). They lock on to screws in the wall. The picture can only be released using the special tool.

First, screw the **SpringLOCK** bridge to the back of the frame, as the drawings. Part insert **Locks** into **Bridges**. Measure distance 'X mm' between bridges to give spacing for screws in wall.

**Method A 'Side-by-Side'**

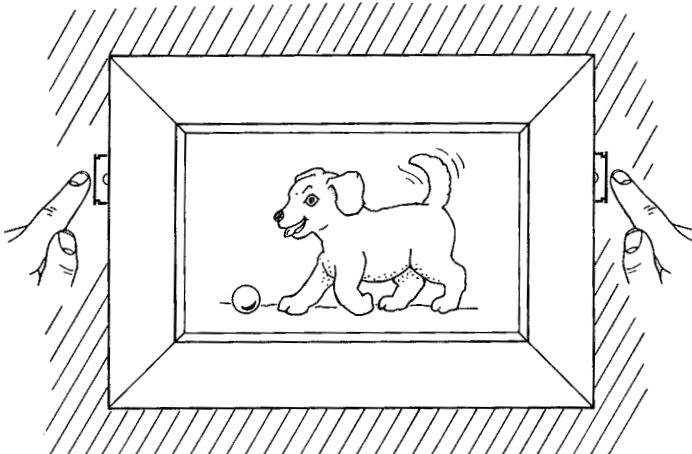


Mark position of the two screws on wall, 'Xmm' distance apart. Use Post-Its to avoid marking wall. Always check with a spirit level. Bridges have slots for fine adjustment. Fit screws into wall. Use No.6, 8 or 10 countersunk, as available, and wall plug or dry wall anchor. Leave screw heads proud by approx. 5mm / 1/4"



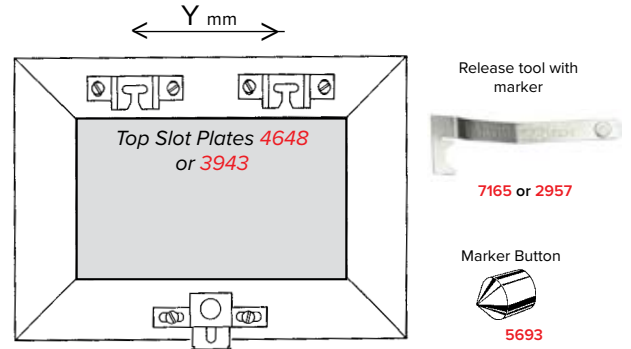
Insert two screws in wall for Side-by-Side method.

Offer frame up to wall, fitting **Bridges** over screws in wall and push in **Locks** with fingers.



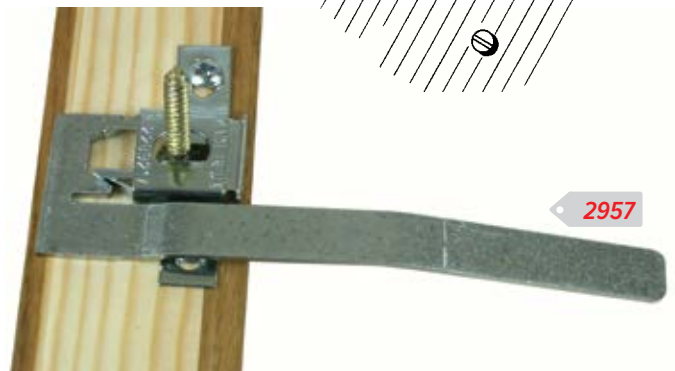
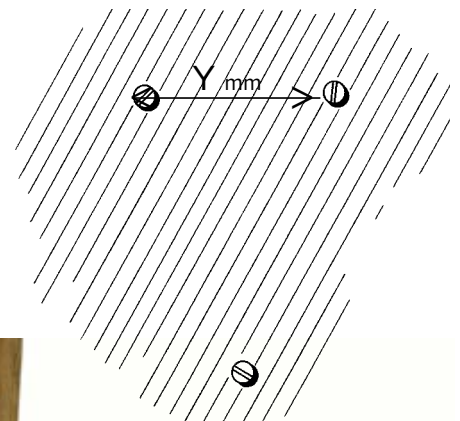
Push in **Locks** to secure over screws in wall. Locks can only be removed with special Release Tool, **7165** or **2957**.

**Method B 'Top Slot'**



Screw two **Top Slot Plates** and a **Bridge** to frame as shown. Measure distance apart, 'Ymm'. Fit two No.6, 8 or 10 screws in wall 'Ymm' distance apart. Put **Marker Button** in the **Bridge**. Hang frame on wall, engaging **Top Slot Plates** on to screws. Press on bottom of frame to mark position of third screw. Lift off frame and remove **Marker Button**. Insert third screw in wall. Or, use **Release Tool with Marker, 7165**. Replace frame on wall and push in **Lock** to secure.

Insert three screws in wall for Top Slot method. Mark position for third screw with **Marker Button** or **Release Tool with Marker**.



**Release Tool** - the **Locks** in **SpringLOCK** are pushed in with finger pressure. To release them use the special tool, **2957** or **7165**.

## 10311 Z Bar + SpringLOCK for Wood frames Kit for 2 frames

Designed to help hang heavier wood frames or any picture or mirror which might be at risk of being knocked or stolen

The 150mm Z Bars have oval holes to make it easier to get them perfectly aligned and level. One or two bars are fixed along the top of the frame, lip pointing down. The other Z bar/s are screwed to the wall in corresponding positions, lip pointing up.

The SpringLOCKS are fitted to the frame at the bottom in similar position to that of the T Screws in the other Z Bar kits. They lock onto almost any screw in the wall, so allow the use of any type of wall anchor. Very handy on dry wall. Z Bar + SpringLOCK kit for wood frames contains parts to hang two smaller wood frames, each up to about 350mm wide, or one frame over 400mm wide.

### Kit contains:

- Z Bars 150mm for wood frame x 2 pairs
- Screws for Z Bar and SpringLOCK to frame
- Screws for Z Bar to wall x 3
- Plugs for wall screws x 3
- SpringLOCK Bridge & Lock x 2



## Using the SpringLOCK Release Tool with Marker



**1** Offer the Marker, 7165, point up, to the SpringLOCK hole in the Bridge. The Lock should be partially withdrawn.

**2** Place the Marker into the hole of the SpringLOCK bracket.

**3** With the Marker Tool in position in the SpringLOCK, position frame on wall. Gently push the frame to indicate the exact screw location.

