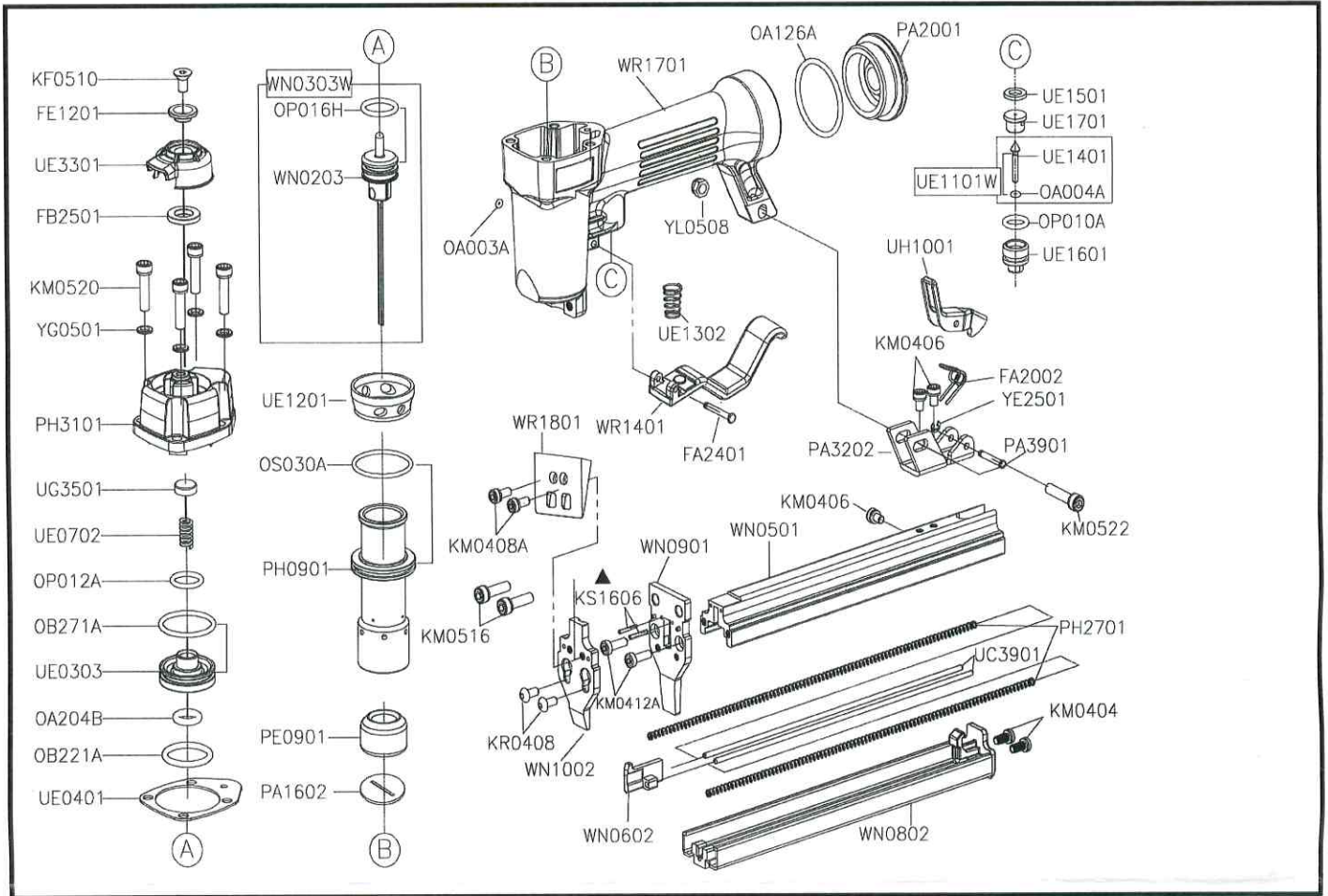


W3/16BN02 (WN/N1-02)

C



Part_No	Description	Spec	Q'ty	Part_No	Description	Spec	Q'ty	Part_No	Description	Spec	Q'ty
FA2002	SPRING		1	OP016H	O-RING	15.8×2.4	1	UG3501	PISTON STOP		1
FA2401	PIN		1	OS030A	O-RING	S-30	1	UH1001	LATCH		1
FB2501	PISTON STOP		1	PA1602	NOZZLE		1	WN0203	DRIVER SET		1
FE1201	EXHAUST CAP RING		1	PA2001	END CAP		1	WN0303W	DRIVER ASSY.		1
KF0510	FLAT HD.BOLT	M5×0.8 - 10L	1	PA3202	SUPPORT		1	WN0501	MAGAZINE CAP		1
KM0404	HEX.SOC.HD.BOLT	M4×0.7 - 4L	2	PA3901	PIN		1	WN0602	PUSHER		1
KM0406	HEX.SOC.HD.BOLT	M4×0.7 - 6L	3	PE0901	BUMPER		1	WN0802	MAGAZINE SEAT SET		1
KM0408A	HEX.SOC.HD.BOLT	M4×0.7 - 8L	2	PH0901	CYLINDER		1	WN0901	GUIDE PLATE		1
KM0412A	HEX.SOC.HD.BOLT	M4×0.7 - 12L	2	PH2701	PUSHER SPRING		2	WN1002	COVER PLATE		1
KM0516	HEX.SOC.HD.BOLT	M5×0.8 - 16L	2	PH3101	CYLINDER CAP		1	WR1401	TRIGGER		1
KM0520	HEX.SOC.HD.BOLT	M5×0.8 - 20L	4	UC3901	GUIDE STEM		2	WR1701	BODY		1
KM0522	HEX.SOC.HD.BOLT	M5×0.8 - 22L	1	UE0303	HEAD VALVE PISTON		1	WR1801	CAP		1
KR0408	BUTTON HD.BOLT	M4×0.7 - 8L	2	UE0401	CAP SEAL		1	YE2501	E-RING	φ2.5	1
▲KS1606	SPRING PIN	φ1.6-6L	2	UE0702	COMPRESSION SPRING		1	YG0501	SPRING WASHER	φ5	4
OA003A	O-RING	ARP568-003	1	UE1101W	TRIGGER VALVE ASSY.		1	YL0508	LOCK NUT	M5×0.8	1
OA004A	O-RING	ARP568-004	1	UE1201	COLLAR		1				
OA126A	O-RING	ARP568-126	1	UE1302	COMPRESSION SPRING		1				
OA204B	O-RING	ARP568-204	1	UE1401	TRIGGER VALVE STEM		1				
OB221A	O-RING	22×3	1	UE1501	SEAL		1				
OB271A	O-RING	26.8×2.4	1	UE1601	TRIGGER VALVE GUIDE		1				
OP010A	O-RING	P10	1	UE1701	TRIGGER VALVE SEAT		1				
OP012A	O-RING	P12	1	UE3301	EXHAUST CAP		1				

★☆☆ If you need to order parts, please mark both Parts No. and Description. ☆☆☆

2021/3/9